

SOLID FUEL HEATING QUESTIONNAIRE PLEASE ATTACH PHOTOGRAPH

Policy No: _____

Insured: _____

Agent/Broker: _____

Address of premises where unit is installed, Principal residence or _____

location of unit within the dwelling. _____

HEATING UNIT

Type (a) Fireplace (with doors) (e) Factory manufactured oil/solid fuel combination unit
 (b) Pot belly, box, franklin or acorn stove (loose fitting doors or no doors) (f) Oil furnace with add.on solid fuel burning unit
 (c) "Airtight" stove (g) Other, specify _____
 (d) "Airtight" insert in Solid masonry fireplace "Airtight - tight fitting doors and seams"
 Zero clearance fireplace
 Fuel Wood only Wood and oil Other. specify _____
 Quantity of wood burned per year _____ Stored where and how _____

Make	Model	Age
Labelled <input type="checkbox"/> Canadian Standards Association <input type="checkbox"/> Warnock.Hersey Professional Service Ltd	<input type="checkbox"/> Underwriters' Laboratories of Canada <input type="checkbox"/> None or other, specify _____	
How often is the heating unit used during the heating season? _____ hours per day		_____ days_per week

Chimney

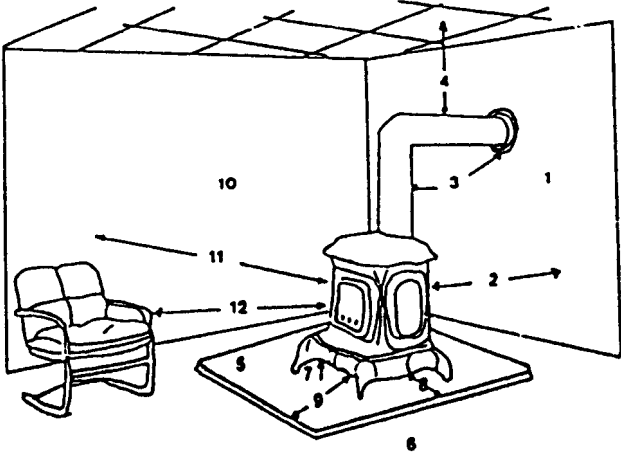
Type Masonry - Built from ground Bracket Chimney lining - Flue tile None or other, specify _____
 Factory built double walled metal chimney - manufacturer
 Labelled Canadian Standards Association Underwriters' Laboratories of Canada
 Warnock.Hersey Professional Service Ltd. None or other specify _____
 Other type of chimney, specify _____
 Unknown
 Same as heating unit or _____

Was the chimney designed for the type of fuel specified above? yes or identify fuel for which designed _____
 Does unit share a chimney flue with any other heating unit no yes, describe other unit overleaf and indicate which pipe enters _____
 Chimney is installed inside building outside building Chimney above the other. _____
 How often is the chimney cleaned _____ Date of last cleaning (year. month) _____
 Installation: How many 90° bends are in the pipe? _____
 Was the heating unit installed by a heating contractor unknown no yes, name of firm _____
 Was the chimney installed by a heating or masonry contractor unknown no yes, name of firm _____
 Does the stovepipe pass through a concealed space or any wall, partition, floor or ceiling of combustible construction yes no

Is protective shielding used around heating unit-if so, describe (material used, clearances, etc") _____

Diagram (Please complete the following for hearing types (b), (c), and (g). If your unit does not fit diagram please attach your own.)

1. Construction of back wall _____
2. Shortest distance from unit to back wall in cm
3. Is there a thimble where the pipe passes through wall? yes no
Total length of stovepipe in cm
4. Shortest distance from stovepipe to ceiling in cm
5. Is there a noncombustible pad? yes no
6. Construction of floor _____
7. Distance from unit to floor _____ in cm
8. Distance from side of unit to end of pad in cm
9. Distance from front or unit to end of pad in cm
10. Construction or nearest side wall _____
- 11, Shortest distance from unit to nearest side wall in cm
12. Shortest distance from unit to 'furniture, fuel or other combustible material' in cm



Has the installation including chimney been inspected and approved by a fire department or building code inspector. _____

Completed _____

Date _____